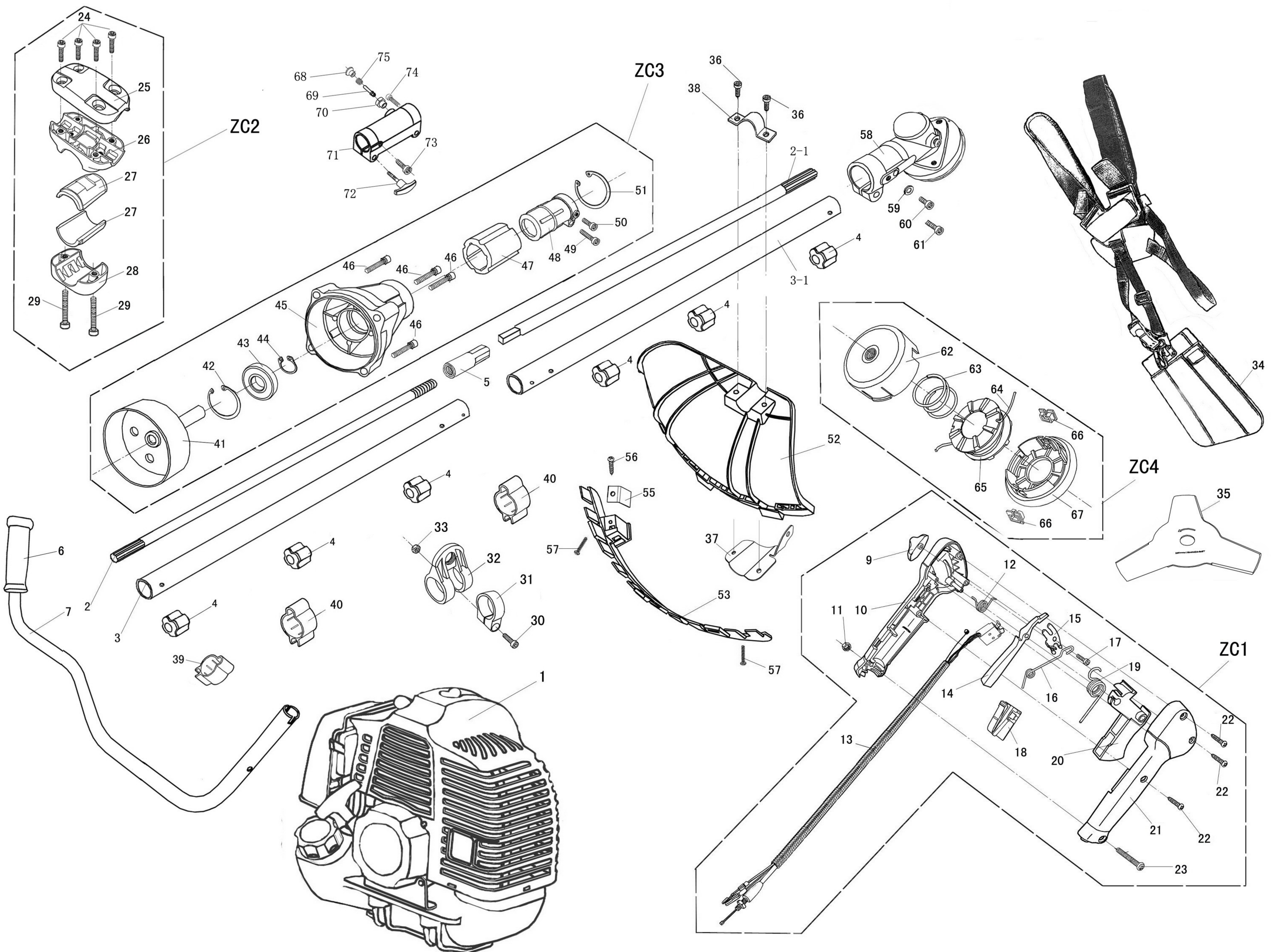


Spare parts list for RPB517 engine

Pos no	Reference no	English name	QTY
1	GC305.3B-16308	Knob	1
2	GC415.3B-16301	Cover-Air Filter	1
3	YD4500-90029	Screw Gb/T 70.1-M5X50	2
4	GC305-93014	Gasket、Gb/T 97.1-2002-Φ14Xφ5X1	1
5	GC260.2-24005	Spring Choke	1
6	YD2500-93012	Gasket、Gb/T 97.1-2000-Φ10Xφ5X1	1
7	GC260.2-16309.1	Inbuilt-Air Filter(Short)	1
8	GC305.3B-24006	Choke Knob	1
9	GC260.2-16309.2	Inbuilt-Air Filter(Long)	1
10	GC305.3B-16211	Air Filter	1
11	GC415-18200	Carburetor	1
12	GC415-18204	Gasket Carburetor	1
13	YD6200-97004	Screw 、 Gb/T 9074-M5X20	18
14	GC415-16111	Boot-Intake	1
15	GC415-16001	Washer-Intake	1
16	GC305.3-26200	Spark Plug	1
17	GC305.3-18315	Plate	1
18	GC415.3-11301	Cover Cylinder	1
19	GC305-97011	Screw /Gb/T 9074-M5X14	2
20	YD6200-97004	Screw/Gb/T 70.1-M5X20	1
21	GC520-12111	Cylinder	1
22	GC415-12501	Gasket Cylinder	1
23	GC415.3-21001	Washer-Muffler	1
24	GC415-21110	Muffler Assy	1
25	GC305-97010	Screw-Muffler/Gb/T9074.14-1988	2
27	GC305-26151	Wire Switch	1
28	GC415.3-26110	Ignition	1
29	LJ230B-97006	Screw /Gb/T 9074/M5X25	2
30	GC415.3-14323	Crankcase Side Cover	1
31	GC30-22133	Screw Clutch	2
32	YD6200-94031	Pin/Gb/T 119.1-2000/φ5X10	2
33	GC30-93402	Washer /Gb/T 95-1987/Φ10	2
34	GC305-22112	Hoof Block Clutch	2
35	GC305-22132	Spring Clutch	1
36	GC305-93004	Washer /Gb/T 97.1-2000/φ8	2
37	YD2500-92102	Nut /Gb/T 6177.1/M8	1
38	GC415-15110	Flywheel	1
39	YD3800-95012	Seal Oil/Gb/T 9877.1	1
39-1	GC415-95013	Seal Oil	1
40	LJ230B-97007	Screw Gb/T 9074/M5X30	4
41	GC415-13101	Right Crankcase	1
42	GC415-94602	Key Fly Wheel-Gb/T 1099	1
43	YD6200-94031	Pin/Gb/T 119.1-2000-φ5X10	2
44	YD2500-96013	Bearing Ball6202/Gb/T 276	2
45	GC415-14110	Shaft Assy	1
46	GC415-96119	Needle Bearing Ballk9X12X12/Jb 2581	1
47	GC415-14002	Ring Snap	2
48	GC520-14211	Piston	1

49	GC520-14001	Pistion Pin	1
50	GC520-14311	Piston Ring	2
51	GC415-13090	Gasket Crankshaft	1
52	GC415.3-13201	Left Crankcase	1
53	GC305-25260.2	Pulley Assy For Easy Start	1
54	YD2500-91332	Screw For Pulley Start(Easy Start)St4.8X12	1
55	YD2500-93011	Gasket/Gb/T 97.1-2002/Φ5X15	1
56	GC305-25215.2	Small Pulley Start Easy Start	1
57	GC305-25112	Spring Easy Start	1
58	GC305-25301	Start Rope	1
59	GC305-25211.2	Pulley Start Easy Start	1
60	GC305-25212.2	Coil Spring For Easy Start	1
61	GC305-25110.2	Housing Start Easy Start	1
62	GC305-25311	Start Handle	1
63	GC415.3-18303	Support Fuel Tank	1
64	YD4500-25318	Start Handle Washer	1
65	GC305.3B-24008		1
66	GC305-18032	Fuel Cap	1
67	GC305-18209	Fuel Filter Vert	1
68	GC305-17402	Venthole	1
69	GC305-17133	Support-Venthole	1
70	GC305-18033	Gasket Fuel Cap	1
71	GC305-18208	Hang	1
72	GC305-18031	Hang	1
73	GC3305-18101.1	Fuel Inlet	1
74	GC3305-18101.2	Fuel Outlet	1
75	GC305-18104	Support-Fuel Pipe	1
76	GC305-18034	Fuel Filter	1
77	GC415.3-18303	Fuel Tank	1
78	GC305.3-18213.1	Support Fuel Tank	1
79	GC305.3-16205	Plate	1
80	GC305.3-16313	Sponge-Air Filter	1
ZC1	GC305-25000	Start Assy	1
ZC2	GC305-14000	Crank Shaft+Piston Assy	1
ZC3	GC305-18030	Fuel Cap Assy	1
ZC4	GC305-22110	Clutch Assy	1
ZC5	GC415.3-18300	Fuel Tank	1



Spare parts list for RPB517 Transmassion

Pos no	Reference no	English name	QTY
1	GC520.3B-42000	PNBC520-4B engine assy	1
2	GC305-45106A	alluminum pipe-φ26×745	1
2-1	GC305-45116B	alluminum pipe-φ26×745	1
3	GC305-42108	drive shaft-φ8×9T×m8×755	1
3-1	GC305-42109	drive shaft-φ8×9T×方头×755	1
4	GC415-45300	oil bearing -φ25.5×20	6
5	GC415-42116	Spline housing-20CrMo	1
6	GC305.3A-43033	left handle	1
7	GC305.3A-43030A	handle	1
9	GC305-47081	switch trigger plate	1
10	GC305-47084	left cover-handle	1
11	YD2500-92001	nut GB/T41-2000 M5	1
12	GC305.3A-47086	spring-leversafety trigger	1
13	GC305.3A-47090	wire switch assy	1
14	GC305.3A-47088	lever-safety trigger	1
15	GC305.3A-47083	switch reed	1
16	GC305.3A-47112	spring	1
17	GC305.3A-47113	screw-ST2.9X8	1
18	GC305.3A-47114	clip support	1
19	GC305.3A-47092	spring-trigger	1
20	GC305.3A-47091	trigger	1
21	GC305.3A-47094	left cover-handle	1
22	GC305-91327	screw/GB/T 845-1986/ST3.9X15	3
23	GC305-90305	screw/GB/T 818-1986/ M5X30	1
24	GC305.1-90012	screw/GB/T70.1-M6×25	4
25	GC305.6-43016	up plate	1
26	GC305.6-43017	middle plate	1

27	GC305.6-43036	clamp set	2
28	GC305.6-43018	down plate	1
29	GC305.6-90017	screw/GB/T70.1-M6x35	2
30	YD4500-90022	screw/GB/T70.1-M5x20	1
31	GC450K.3-46582	support	1
32	GC450K.3-46581	pothook	1
33	YD2500-92001	nut M5 /GB/T41-2000	1
34	GC305.3B-46580	belt assy	1
35	GC305.3-48200	3 theeth blade	1
36	GC415-48064	screw M6X22 / GB/T 70.1-M6X22	2
37	GC415.3-48052	down plate-protector	1
38	GC305.3A-48050.2A	plate- upper protector	1
39	GC305.3A-48116A	clip	1
40	GC305.3A-48115	clip	2
41	GC305-22121	drum-clutch	1
42	YD4500-93212	ring ϕ 35 / GB/T89301-1986	1
43	GC305-96019	bearing-ball 6202RS-GB/T 276-1994	1
44	GC305-93217	ring Φ 15-GB/T894.1-86	1
45	GC305-44324.2	drive shaft cover	1
46	GC305.1-97013	screw M6X30-GB/T 9074	4
47	GC305-44323.2	bush	1
48	GC305-44327	holder for pipe	1
49	BGC350K-97025	screw M6X25	1
50	YD3800-90021	screwM5X10-GB/T 70.1	1
51	YD3800-93211	ring ϕ 32-GB/T 89301-1986	1
52	GC305.3A-48054	protection-cover	1
53	GC305.3B-48060	plate- upper protector	1
55	GC305.3B-48056	blade-protection cover	1
56	GC305.3B-91337	screw ST4.8X14-GB/T 845-1986	1

57	GC305.3A-48061	screw ST4.2X32	2
58	GC305-48040	gear case assy	1
59	LJ230B-93003	gasket-Φ5	1
60	YD3800-90021	screw-GB/T 70.1-M5X10	1
61	YD2500-90025	screw-GB/T 70.1-M6X25	1
62	GC305-48233	cover-nylon cutter	1
63	GC305-48235	spring	1
64	GC305-48185	rope -nylon cutter	1
65	GC305-48236	rope-shaft cutter	1
66	GC305-48237	jacket-nylon cutter	2
67	GC305-48238	support-nylon	1
68	GC260-42158	pin handle	1
69	GC260-42157A	pin	1
70	GC260-42145	pin support	1
71	GC305.3-42150	conection set	1
72	GC260-42150.1	handle	1
73	YD3800-90021	screw-GB/T70.1-M5×10	1
74	GC305-90012	screw-GB/T70.1-M6×25	1
75	GC260-42156	spring	1
ZC1	GC305.3A-47080	bike handle assy	1
ZC2	GC305.6-43010	plate assy	1
ZC3	GC415-44300.2	drive shaft cover assy	1
ZC4	GC305-48180	nylon cutter assy	1